

VP -640

Double Union Ball Valve

- Pressure rating: 150 PSI
- Full flow, unobstructed port design
- Seat tightness could be adjusted
- Easy to disassemble w/o special tool
- Less on-line down time for replacement / maintenance
- With inserted nut, actuator could be attached

Type	Size	Standard	Material	Seat	O-ring	End type
VP-640	1/2"~4"	ANSI, JIS, DIN, BS	PVC	PTFE	EPDM, FPM	Socket, Threaded, Flanged
VP-641	1/2"~4"	ANSI, JIS, DIN, BS	CPVC	PTFE	EPDM, FPM	Socket, Threaded, Flanged
VP-643	1/2"~4"	ANSI, JIS, DIN, BS	PVDF	PTFE	EPDM, FPM	Socket, Threaded, Flanged
VP-644	1/2"~4"	ANSI, JIS, DIN, BS	PP	PTFE	EPDM, FPM	Socket, Threaded, Flanged
VP-645	1/2"~4"	ANSI, JIS, DIN, BS	ABS	PTFE	EPDM, FPM	Socket, Threaded, Flanged

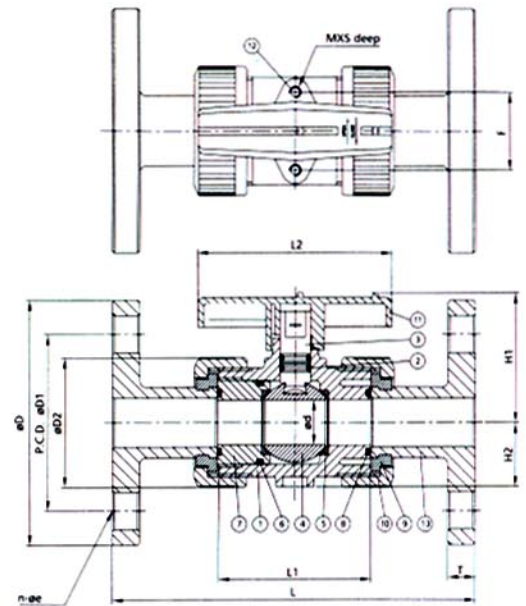
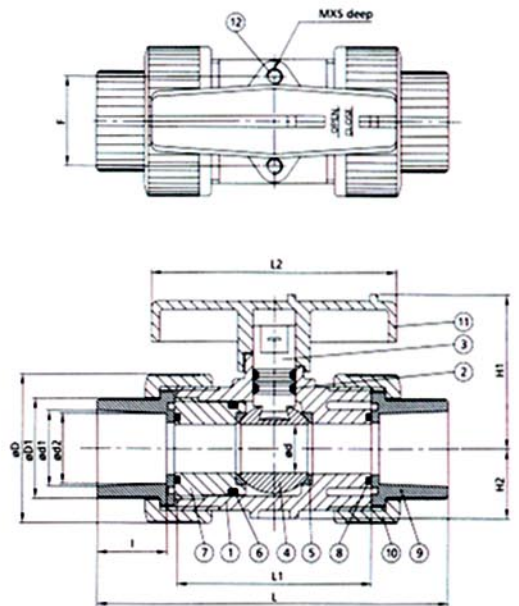


Nom.	SIZE	15mm	20mm	25mm	32mm	40mm	50mm	65mm	80mm	100mm
		(1/2")	(3/4")	(1")	(1-1/4")	(1-1/2")	(2")	(2-1/2")	(3")	(4")
thd./in	NPT	14	14	11.5	11.5	11.5	11.5	8	8	11.5
	PT	14	14	11	11	11	11	11	11	11
JIS	I	22.22	25.4	28.6	31.8	34.9	38.1	44.45	63	69
	d1	22.30	26.30	32.33	38.43	48.46	60.56	76.60	89.6	114.7
	d2	21.70	25.70	31.67	37.57	47.54	59.44	75.87	88.83	113.98
ANSI	I	22.22	25.40	28.58	31.75	34.93	38.10	44.45	47.63	57.15
	d1	21.54	26.87	33.65	42.42	48.56	60.63	73.38	89.31	114.76
	d2	21.23	26.57	33.27	42.04	48.11	60.17	72.85	88.7	114.07
BS	I	16.5	19.5	22.5	27	30	36	-	-	-
	d1	21.5	26.9	33.7	42.4	48.4	60.5	-	-	-
	d2	21.3	26.7	33.5	42.2	48.2	60.3	-	-	-
DIN	I	16	19	22	26	31	38	44	51	61
	d1	20.3	25.3	32.3	40.3	50.3	63.3	75.3	90.3	110.4
	d2	20.1	25.1	32.1	40.1	50.1	63.1	75.1	90.1	110.1
d	13	18	23	30	38	48	61	69	99	
D	45	55	66	82	98	120	140	160	225	
D1	31	37	44	54	65	79	92	108	146	
L	112	132	144	165	171	200	273	303	326	
L1	60	73	78	87	92	112	136	158	176	
L2	78	92	100	110	121	147	180	224	278	
H1	48	57	66	76	88	108	116	130	178	
H2	20.5	26	33	38	42	53	-	-	-	
F	30	33	40	47	52	70	-	-	-	
M	M5	M6	M6	M8	M8	M8	-	-	-	
S	7	8	11	11	11	15	-	-	-	

NO.	PART	MATERIAL	QTY
1	BODY	UPVC, CPVC, PP, PVDF, ABS	1
2	STEM O-RING	EPDM, FPM	2
3	STEM	UPVC, CPVC, PP, PVDF, ABS	1
4	BALL	UPVC, CPVC, PP, PVDF, ABS	1
5	SEAT SEAL	PTFE	2
6	CARRIER O-RING	EPDM, FPM	1
7	SEAL CARRIER	UPVC, CPVC, PP, PVDF, ABS	1
8	UNION O-RING	EPDM, FPM	2
9	END CONNECTOR	UPVC, CPVC, PP, PVDF, ABS	2
10	UNION NUT	UPVC, CPVC, PP, PVDF, ABS	2
11	HANDLE	ABS, PP	1
12	INSERTED NUT	C3604	2,4

Nom.	SIZE	15mm	20mm	25mm	32mm	40mm	50mm	65mm	80mm	100mm
		(1/2")	(3/4")	(1")	(1-1/4")	(1-1/2")	(2")	(2-1/2")	(3")	(4")
D	DIN	95	105	115	140	150	165	185	200	220
	ANSI	89	98	108	117	127	152	178	191	229
	JIS	95	100	125	135	140	155	175	185	210
D1	DIN	65	75	85	100	110	125	145	160	180
	ANSI	60	70	79	89	98	121	140	152	191
	JIS	70	75	90	100	105	120	140	150	175
L	DIN	130	150	160	180	200	230	290	310	350
	ANSI	143	172	187	190	212	234	259	304	372
	JIS	143	172	187	190	212	234	259	304	372
n-ee	DIN	4-14	4-14	4-14	4-18	4-18	4-18	4-18	8-18	8-18
	ANSI	4-16	4-16	4-16	4-16	4-16	4-19	4-19	4-19	4-19
	JIS	4-15	4-15	4-19	4-19	4-19	4-19	4-19	8-19	4-19
T	13	14	14	16	16	16	18	18	18	18
d3	13	18	23	30	38	48	61	69	100	
D2	45	55	66	82	98	120	140	160	225	
L1	60	73	78	87	92	112	135	156	176	
L2	78	92	100	110	121	147	180	224	278	
H1	48	57	66	76	88	108	116	130	178	
H2	20.5	26	33	38	42	53	-	-	-	
F	30	33	40	47	52	70	-	-	-	
M	M5	M6	M6	M8	M8	M8	-	-	-	
S	7	8	11	11	11	15	-	-	-	

NO.	PART	MATERIAL	QTY
1	BODY	UPVC, CPVC, PP, PVDF, ABS	1
2	STEM O-RING	EPDM, FPM	2
3	STEM	UPVC, CPVC, PP, PVDF, ABS	1
4	BALL	UPVC, CPVC, PP, PVDF, ABS	1
5	SEAT SEAL	PTFE	2
6	CARRIER O-RING	EPDM, FPM	1
7	SEAL CARRIER	UPVC, CPVC, PP, PVDF, ABS	1
8	UNION O-RING	EPDM, FPM	2
9	SET RING	UPVC, CPVC, PP, PVDF, ABS	2
10	UNION NUT	UPVC, CPVC, PP, PVDF, ABS	2
11	HANDLE	ABS, PP	1
12	INSERTED NUT	C3604	2,4
13	FLANGE	UPVC, CPVC, PP, PVDF, ABS	2



VP -680 .690 Pneumatic / Electric Actuator Double Union Ball Valve

- Pressure rating: 150 PSI
- Clear indication of opening degree with limit switch box / position indicator
- Fast / Efficient operation for automatic piping control system
- Pneumatic actuator specification meets with ISO 5211, VDI / VDE 3845, DIN 3337
- Pneumatic actuator max. inlet pressure 8 Kg/cm², min. air pressure 4 Kg/cm²
- Electric actuator operation voltage 1-phase 110 / 220 V
3-phase 220 / 380 / 460 V
- Electric actuator could manually operate w/o clutch and break

Type	Size	Standard	Material	Seat	O-ring	End type
VP-680 690	1/2"~4"	ANSI, JIS, DIN, BS	PVC	PTFE	EPDM, FPM	Socket, Threaded, Flanged
VP-681 691	1/2"~4"	ANSI, JIS, DIN, BS	CPVC	PTFE	EPDM, FPM	Socket, Threaded, Flanged
VP-683 693	1/2"~4"	ANSI, JIS, DIN, BS	PVDF	PTFE	EPDM, FPM	Socket, Threaded, Flanged
VP-684 694	1/2"~4"	ANSI, JIS, DIN, BS	PP	PTFE	EPDM, FPM	Socket, Threaded, Flanged
VP-685 695	1/2"~4"	ANSI, JIS, DIN, BS	ABS	PTFE	EPDM, FPM	Socket, Threaded, Flanged



Nom.	SIZE	15mm	20mm	25mm	32mm	40mm	50mm	65mm	80mm	100mm
		(1/2")	(3/4")	(1")	(1-1/4")	(1-1/2")	(2")	(2-1/2")	(3")	(4")
thd./in	NPT	14	14	11.5	11.5	11.5	11.5	8	8	11.5
	PT	14	14	11	11	11	11	11	11	11
JIS	I	22.22	25.4	28.6	31.8	34.9	38.1	44.45	63	69
	d1	22.30	26.30	32.33	38.43	48.46	60.56	76.60	89.6	114.7
ANSI	d2	21.70	25.70	31.67	37.57	47.54	59.44	75.87	88.83	113.98
	I	22.22	25.40	28.58	31.75	34.93	38.10	44.45	47.63	57.15
BS	d1	21.54	26.87	33.65	42.42	48.56	60.63	73.38	89.31	114.76
	d2	21.23	26.57	33.27	42.04	48.11	60.17	72.85	88.7	114.07
DIN	I	16.5	19.5	22.5	27	30	36	-	-	-
	d1	21.5	26.9	33.7	42.4	48.4	60.5	-	-	-
DIN	d2	21.3	26.7	33.5	42.2	48.2	60.3	-	-	-
	I	16	19	22	26	31	38	44	51	61
DIN	d1	20.3	25.3	32.3	40.3	50.3	63.3	75.3	90.3	110.4
	d2	20.1	25.1	32.1	40.1	50.1	63.1	75.1	90.1	110.1
d		13	18	23	30	38	48	61	69	99
D		45	55	66	82	98	120	140	160	225
D1		31	37	44	54	65	79	92	108	146
L		112	132	144	165	171	200	273	303	326
L1		60	73	78	87	92	112	136	158	176

NO.	PART	MATERIAL	QTY
1	BODY	UPVC,CPVC,PP,PVDF,ABS	1
2	STEM O-RING	EPDM,FPM	2
3	STEM	UPVC,CPVC,PP,PVDF,ABS	1
4	BALL	UPVC,CPVC,PP,PVDF,ABS	1
5	SEAT SEAL	PTFE	2
6	CARRIER O-RING	EPDM,FPM	1
7	SEAL CARRIER	UPVC,CPVC,PP,PVDF,ABS	1
8	UNION O-RING	EPDM,FPM	2
9	END CONNECTOR	UPVC,CPVC,PP,PVDF,ABS	2
10	UNION NUT	UPVC,CPVC,PP,PVDF,ABS	2
11	SUPPORT	UPVC	2
12	MOUNTING PAD	SUS	1
13	COUPLING	SUS	1
14	PNEUMATIC ACTUATORS	EXTRUDED ALUMINIUM ALLOY	1

SIZE	MAX. INLET PRESSURE (kg/cm ²)	PNEUMATIC ACTUATOR MIN AIR PRESSURE 4 kg/cm ²	
		DOUBLE ACTING	SPRING RETURN
3/4"	10	AT05 DA	AT10 SR
1"	10	AT05 DA	AT10 SR
1-1/4"	10	AT10 DA	AT20 SR
1-1/2"	10	AT10 DA	AT20 SR
2"	10	AT20 DA	AT25 SR
2-1/2"	10	AT25 DA	AT30 SR
3"	10	AT30 DA	AT40 SR
4"	10	AT40 DA	AT40 SR

NO.	PART	MATERIAL	QTY
1	BODY	UPVC,CPVC,PP,PVDF,ABS	1
2	STEM O-RING	EPDM,FPM	2
3	STEM	UPVC,CPVC,PP,PVDF,ABS	1
4	BALL	UPVC,CPVC,PP,PVDF,ABS	1
5	SEAT SEAL	PTFE	2
6	CARRIER O-RING	EPDM,FPM	1
7	SEAL CARRIER	UPVC,CPVC,PP,PVDF,ABS	1
8	UNION O-RING	EPDM,FPM	2
9	END CONNECTOR	UPVC,CPVC,PP,PVDF,ABS	2
10	UNION NUT	UPVC,CPVC,PP,PVDF,ABS	2
11	COUPLING	SUS	1
12	MOUNTING PAD	SUS	1
13	ELECTRIC ACTUATOR	ALUMINUM ALLOY ENCLOSURE	1

SIZE	ELECTRIC ACTUATOR	
	WITH HANDWHEEL	WITHOUT HANDWHEEL
3/4"	OM2	OM1
1"	OM2	OM1
1-1/4"	OM2	OM1
1-1/2"	OM2	OM1
2"	OM2	OMA
2-1/2"	OM3	BM2
3"	OM3	BM2
4"	OM4	-

ELECTRIC ACTUATOR	Single-phase		Three-phase		
	110V	220V	220V	380V	440V
BM2	V	V	V	V	V
OM1	V	V	X	X	X
OMA	V	V	X	X	X
OM2	V	V	V	V	V
OM3	V	V	V	V	V
OM4	V	V	V	V	V

