

# FUJIFLO

ISO-9001  
CERTIFIED

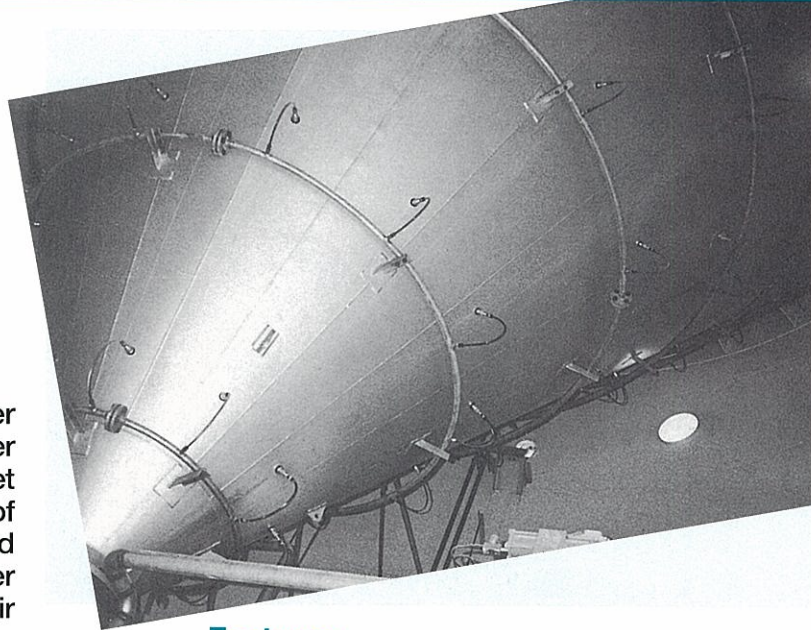
# POWDER FLUIDIZING

*When air is blown through FUJIFLO porous material, an air layer is formed which makes powder and granules flow like liquid.*

## FUJIFLO FOR GRANULAR POWDER HANDLING

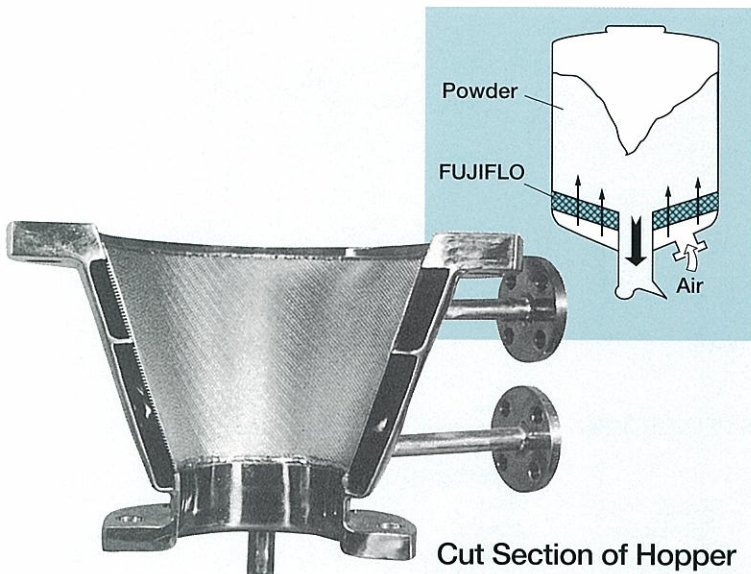
### Aerator for hoppers

FUJIFLO is used for the taper section of powder material storage hoppers. Air is blown into the hopper to prevent bridge formation of powder along the outlet nozzle and to ensure a stable discharge of powder of constant quantity. Thus powder blockage is avoided by using FUJIFLO in the hopper. Moreover, powder deterioration and dispersion is prevented because air is discharged from the bottom in the order of supply. The discharge rate is adjusted by air flow control without the use of a damper.

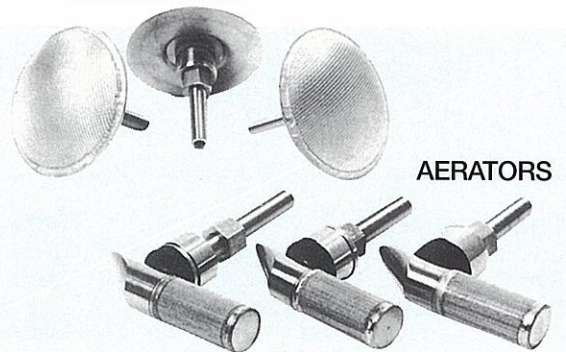


### Features

- No moving parts—easy maintenance
- Low power consumption—approx. 1/10 that of screw conveyors
- The enclosed type ensures a clean and hygienic environment by preventing powder loss and flying dust.
- Facilitates conveyance of large volume and easy control of transport volume (approx. 500 t/hr for cement).
- Can be used both in an open and closed state.

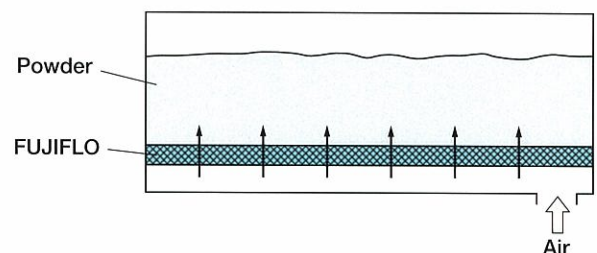


Cut Section of Hopper



### Fluidized Bed

The fluidized bed is applicable to contact catalyst reactions in chemical plants, electrostatic coating and drying of powder by hot blast as well as decomposition and peeling of paint and polymers by hot powder.

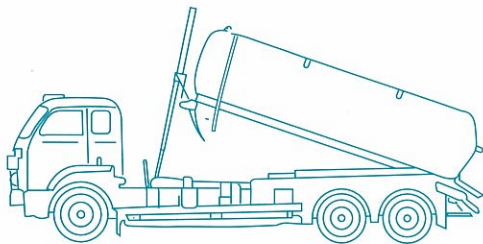
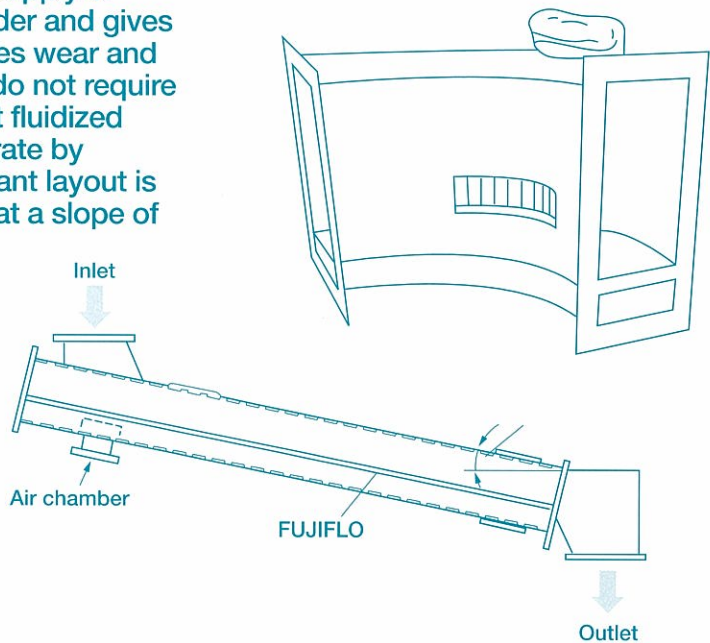
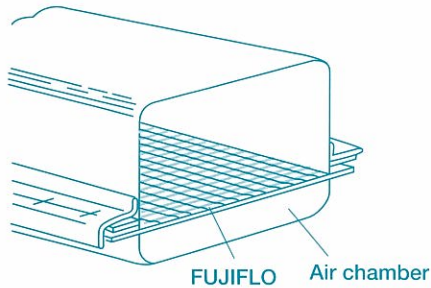


FUJI FILTER

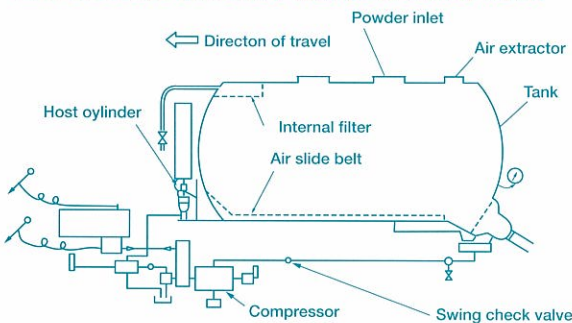


## Air Slider

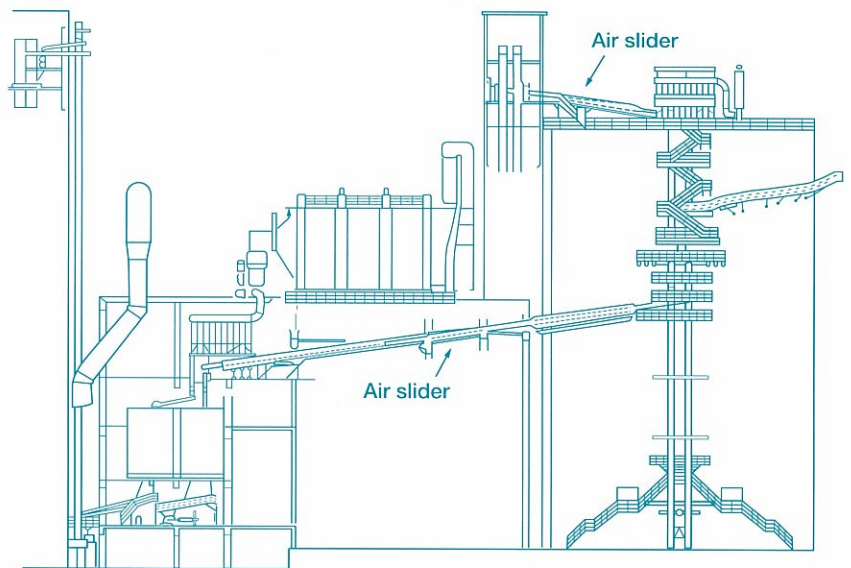
FUJIFLO is used for the transportation and supply of powder. It effects a uniform aeration of powder and gives a fluidity similar to liquids. FUJIFLO eliminates wear and powder contamination because conveyors do not require a driver and revolving parts. This means that fluidized powder is supplied at a stabilized constant rate by gravity feed without any holdup. Effective plant layout is also facilitated because powder is fluidized at a slope of min 4°.



Tank Structure of Powder Transport Tanker Truck



Cement Mixing Plant



## TYPICAL APPLICATIONS

### Petrochemical

ABS resin  
PVC powder  
Polypropylene powder

Polystyrene powder  
Polystyrene pellets  
Nylon pellets

### Ceramics

Cement  
Kaolin  
Lime powder  
Calcite

Quartz sand  
Abrasives  
Talc  
Silica

### Food and Pharmaceutical

Milk  
Starch  
Tomato powder  
Granular medicines  
Instant Coffee  
Black tea  
Rice  
Granulated sugar

### Metal mining

Oxide powder of iron  
Nickel powder

Alumina powder  
Titanium Oxide

### Chemical

Carbon black  
Toner  
Terephthalate

Calcium carbonate  
Tripoli soda  
Titanium oxide



**FUJI FILTER** MFG.CO.,LTD.

2-3-4, Nihonbashi, Chuo-ku, Tokyo 103-8308, Japan  
Tel : +81-3-3241-4201, Fax : +81-3-3246-1288

URL: <http://www.fujifilter.co.jp>